

# PRODUCT INSTRUCTION

## Q1 7" Headlight With Chasing Halo Kit

### BEFORE USING

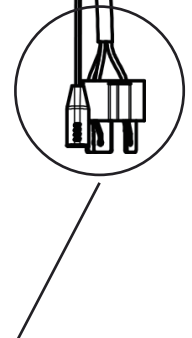
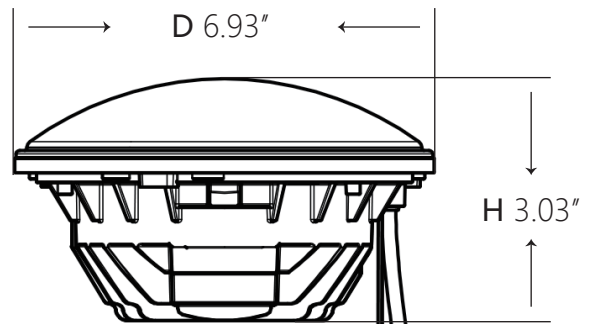
Thank you for using our company's Higlow products. Before installing and using this product, please read the instructions carefully to ensure that you fully understand the instructions to avoid unnecessary damage. Before unpacking and using, please check whether the product has caused damage during transportation. If there is damage, please immediately think about our after-sales feedback.

### PRODUCT INFORMATIONS

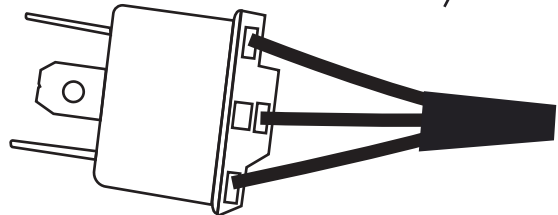
#### ► Q1 7" LED HEADLIGHT

- **Four LED Lens for High & Low Beam**
- **DOT & E- Mark certificated**
- **Customized LED Halo**
- **For JEEP Wrangler, Defender and more**

<b>Outer Lens Color</b>	Clear
<b>Housing Material</b>	Die-Cast Aluminum
<b>Bezel Color</b>	Black
<b>Angel Eyes Color</b>	Changeable
<b>Connector or Wiring</b>	H4
<b>Product Weight</b>	2.64 (lbs) / 1.2 (kgs)
<b>DOT Power</b>	46W , High beam:40W , Low beam: 20W , DRL: 6W
<b>EMARK Power</b>	36W , High beam:30W , Low beam: 15W , DRL: 6W
<b>Input Voltage</b>	12 V DC
<b>Operating Temperature</b>	-86 (°F)~131 (°F)
<b>Original Lumen Output:</b>	DOT Version-High Beam 4500Lm; Low Beam2100Lm EMARK Version-High Beam 2600Lm; Low Beam 1350Lm



- Blue- Higlow Beam(+)
- Red- Low Beam(+)
- Black- Ground Wire(-)



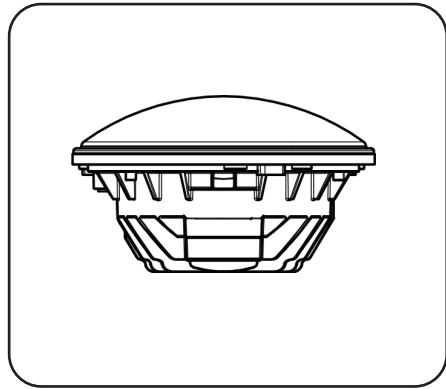
Connect with Higlow Controller  
Zone 1 or Zone 2



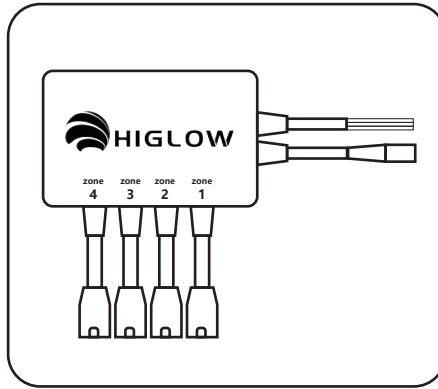
PM 2.54 connector

**ACCESSORIES**

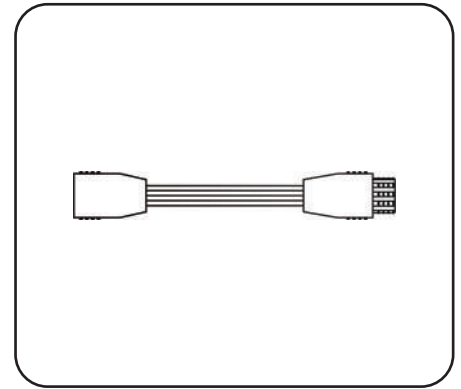
<b>Input Voltage</b>	<b>12V DC (9~24V)</b>	<b>Controller Maximum Load</b>	<b>12A</b> (3A per zone, 4 zones total)
----------------------	-----------------------	--------------------------------	--



**Q1 7" Headlight X 2**



**Higlow 4 zones controller X 1**

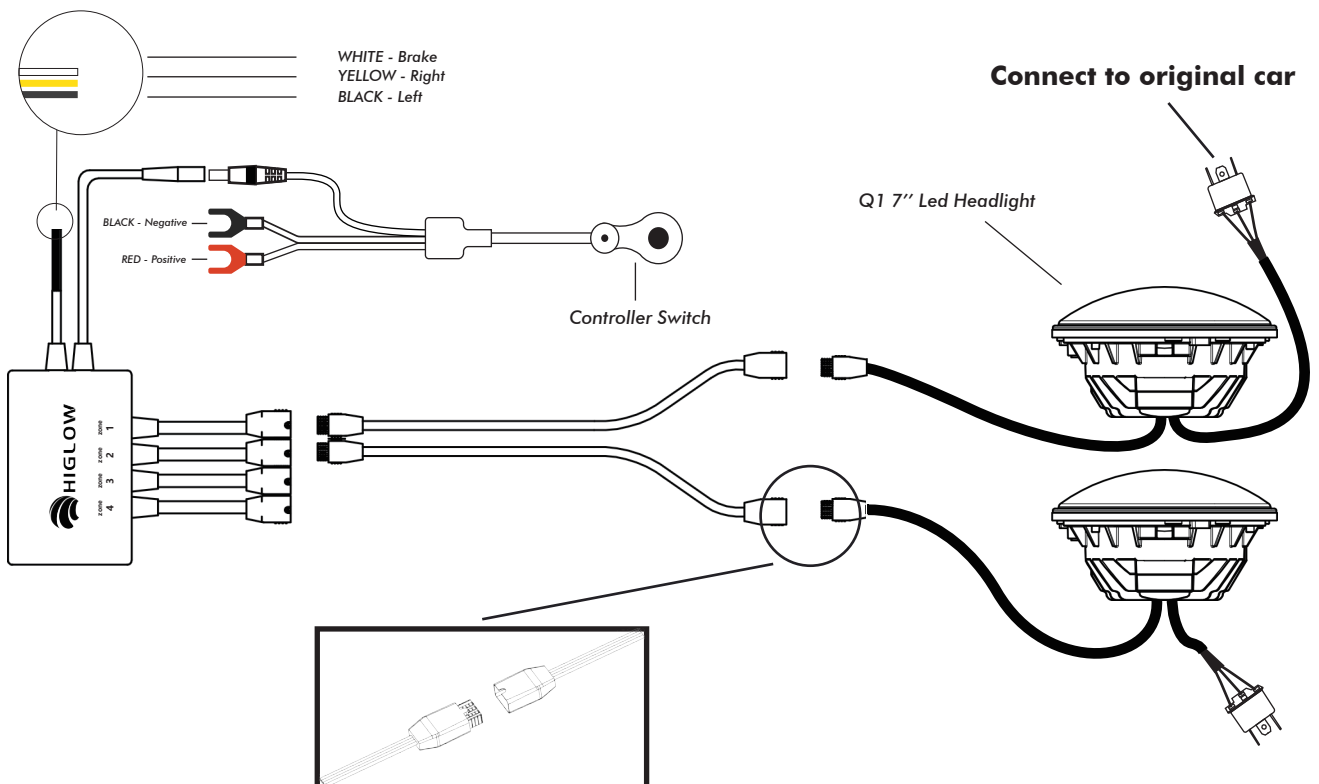


**100" extension wire X 1**  
**145" extension wire X 1**

**MOUNTING INSTRUCTION**

First, please make sure your phone has downloaded and installed the Higlow APP.

**Step 1 Test components before installation** Connect the controller to the switch, connect the Q1 7" headlight to the controller, and then connect the switch harness to the 12V power supply. Press the controller switch button → open the APP → pair the bluetooth → test the Headlights.



**Step 2 Controller installation** Connect the driving, braking, and steering wires on the controller to the corresponding automobile wiring harness assembly, pass the switch wires through the engine compartment, and connect the positive and negative batteries. (Note: This step should be performed by relevant professionals).

**Step 3 Extensive wire installation** Take one 100" and one 145" extension wires to connect to the 2 ports of the controller. The 100" extension wire pass through the left side of the engine compartment to connect zone 1 and 145" extension wire from the right to connect zone 2 (if the controller is installed in the first officer Seat, then the 100" extension wire connecting line passes through the right side).

**Step 4 Remove the factory headlights** Pop the hood to gain access to the top of the grill. Remove the screws and pop clips securing the grill and remove the grill by pulling it away from the vehicle. The factory headlights are help in place by metal rings. Remove the screws securing the rings and remove the rings. Unplug the headlights and remove from the vehicle.

**Step 5 Install the new LED headlights** Now that the factory headlights are removed, it's time to install the QEEDON headlights. Simply follow the instructions above but in reverse order. Plug the headlights in and secure them with the metal mounting rings. Pop the grill back into place and reinstall the screws and pop clips.

