

PRODUCT INSTRUCTION

K1 7" Headlight With DRL Kit

BEFORE USING

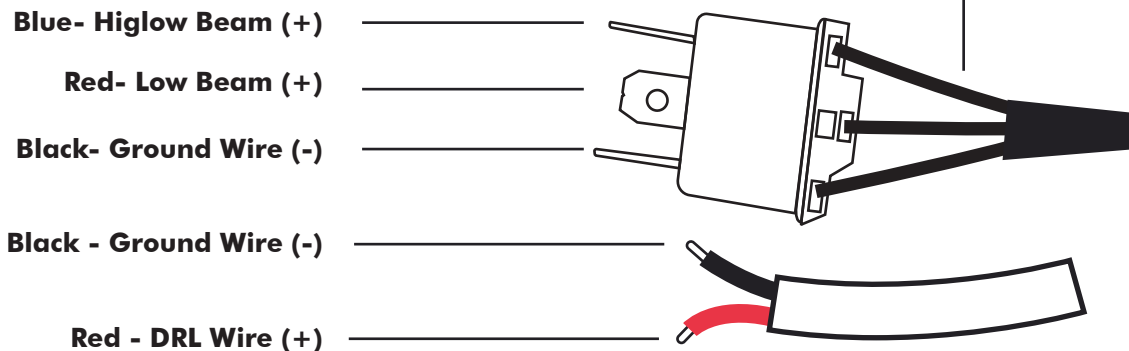
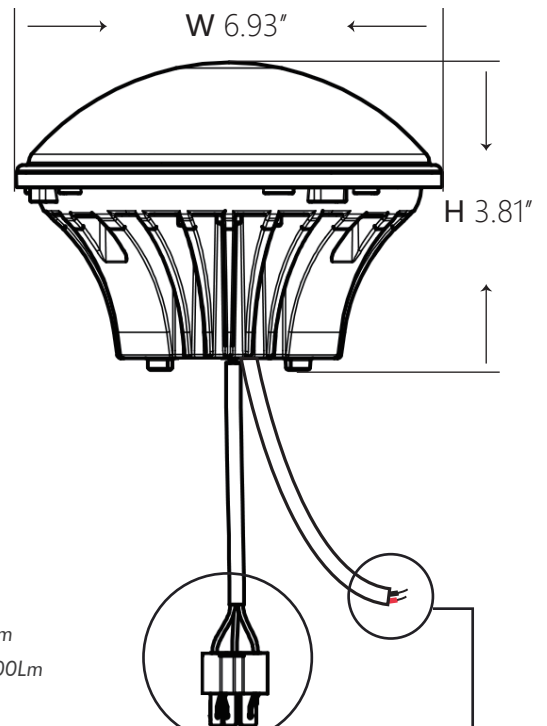
Thank you for using our company's Higlow products. Before installing and using this product, please read the instructions carefully to ensure that you fully understand the instructions to avoid unnecessary damage. Before unpacking and using, please check whether the product has caused damage during transportation. If there is damage, please immediately think about our after-sales feedback.

PRODUCT INFORMATIONS

► K1 7" LED HEADLIGHT

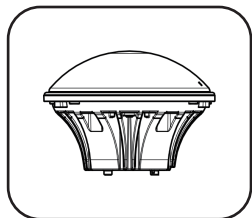
- **One LED lens for high & low beam**
- **DOT & E- Mark certificated**
- **Customized LED Halo**
- **For JEEP Wrangler, Defender and more**

Outer Lens Color	Clear
Housing Material	Die-Cast Aluminum
Bezel Color	Black
Angel Eyes Color	White
Connector or Wiring	H4
Product Weight	3.52 (lbs) / 1.6 (kgs)
DOT&EMARK Power	High beam:32W , Low beam: 26W , DRL: 6W
Input Voltage	12 V DC
Operating Temperature	-86 (°F)~131 (°F)
Original Lumen Output:	DOT Version-High Beam 5400 Lm; Low Beam3400Lm EMARK Version-High Beam 3200 Lm; Low Beam 2500Lm

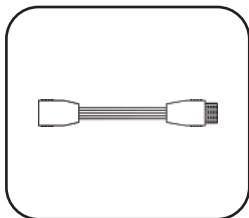


► **ACCESSORIES**

Input Voltage	12V DC (9~24V)
----------------------	-----------------------



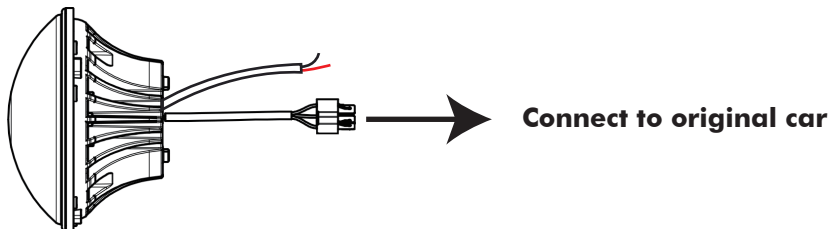
K1 7" Headlight X 2



100" extension wire X 1
145" extension wire X 1

MOUNTING INSTRUCTION

Step 1 Test components before installation Plug the socket directly into the socket of the original car and see if it lights up, if so, the light can be directly mounted on the front of the original car.



Step 2 Remove the factory headlights Pop the hood to gain access to the top of the grill. Remove the screws and pop clips securing the grill and remove the grill by pulling it away from the vehicle. The factory headlights are held in place by metal rings. Remove the screws securing the rings and remove the rings. Unplug the headlights and remove from the vehicle.

Step 3 Install the new LED headlights Now that the factory headlights are removed, it's time to install the QEEDON headlights. Simply follow the instructions above but in reverse order. Plug the headlights in and secure them with the metal mounting rings. Pop the grill back into place and reinstall the screws and pop clips.

